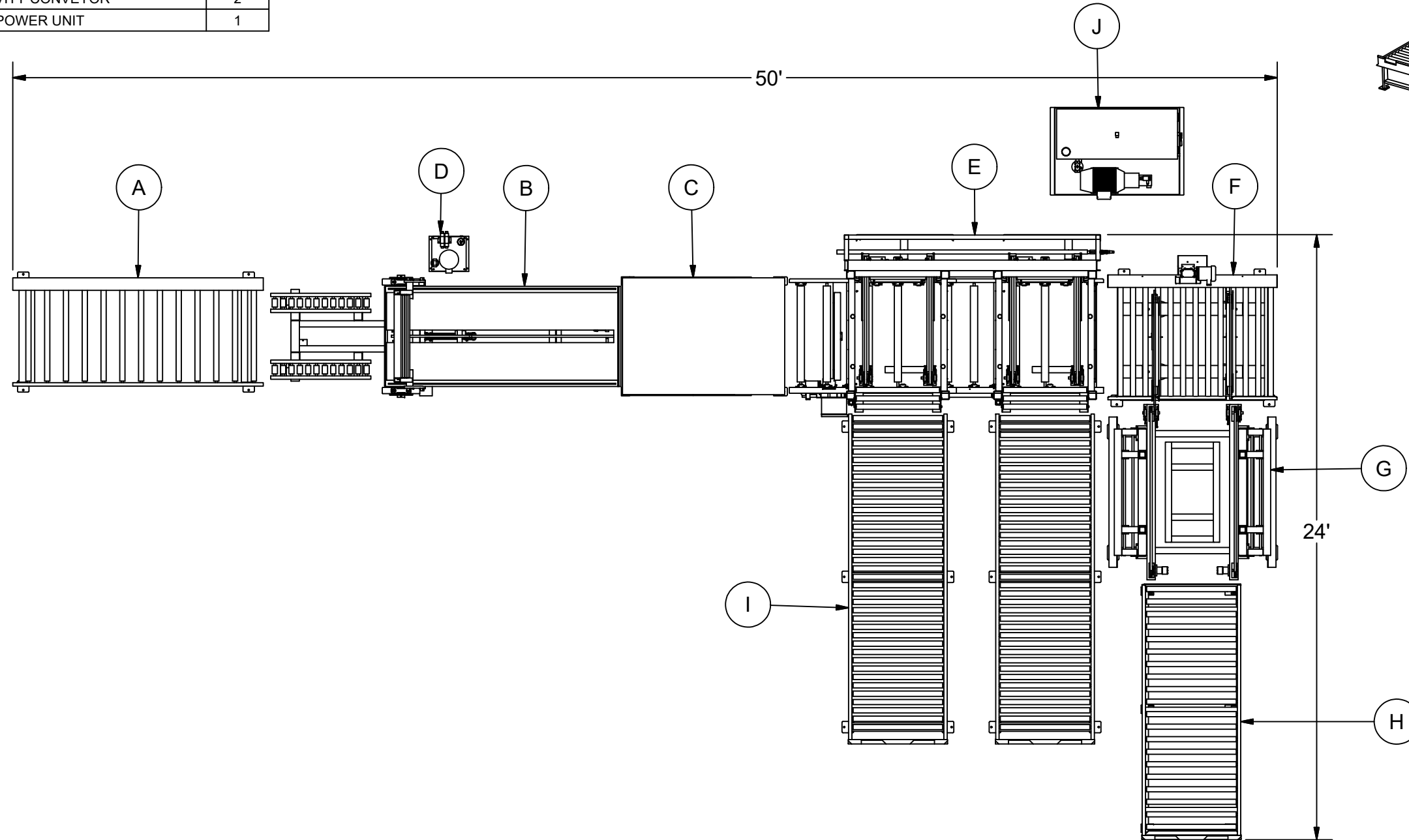
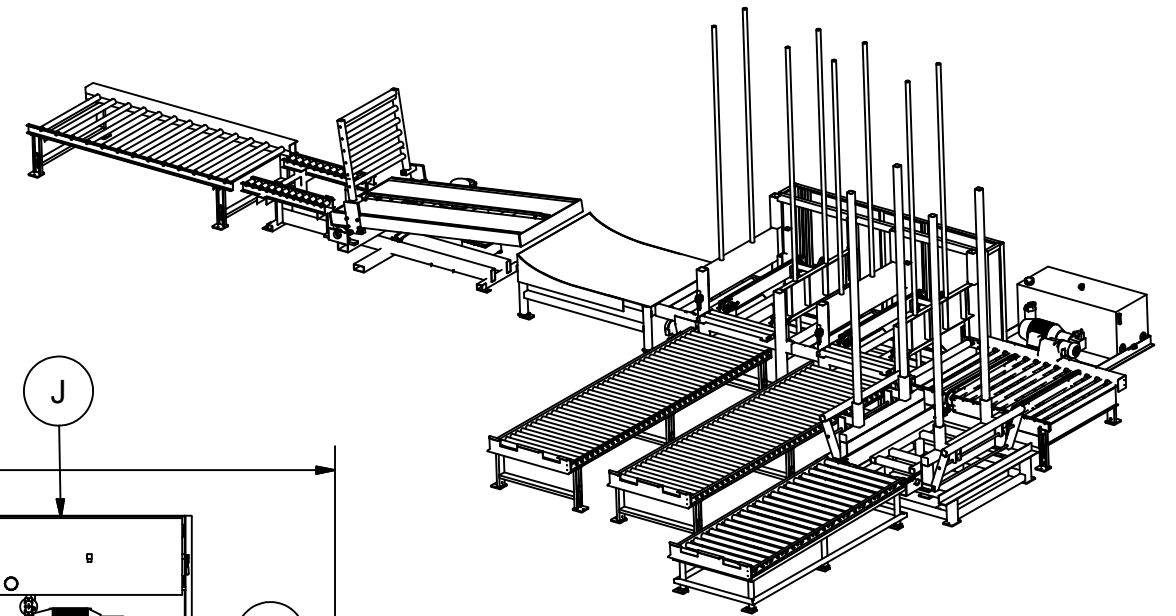


EQUIPMENT LIST		
ITEM	DESCRIPTION	QTY
A	USED 120" INFEEED CDLR CONVEYOR ASSEMBLY	1
B	USED IR PALLET TIPPER	1
C	SWOOP TABLE	1
D	7.5 HP HYDRAULIC POWER UNIT (OPTIONAL)	1
E	IR INLINE STACKER BANK (2)	1
F	IR PALLET TRANSFER - 81"L	1
G	INLINE STACKER ASSEMBLY	1
H	10' GRAVITY GRAVITY CONVEYOR	1
I	149"L x 44" BF GRAVITY CONVEYOR	2
J	15 HP HYDRAULIC POWER UNIT	1



PROPERTY OF PALLET REPAIR SYSTEMS INC. JACKSONVILLE IL AND IS LOANED TO THE RECIPIENT SUBJECT TO RETURN UPON DEMAND. IT'S CONTENTS ARE CONFIDENTIAL AND MUST NOT BE COPIED OR SUBMITTED TO OUTSIDE PARTIES FOR USE OR EXAMINATION.

UNLESS OTHERWISE SPECIFIED  
 DIM TOLERANCE: INCHES  
 ONE PLACE: +/- .10  
 TWO PLACES: +/- .050  
 ANGLES: +/- 1  
 ( ) INDICATES REF DIM

QTY: 1  
 MODEL:  
 NEXT ASSY:

MATERIAL:	SCALE: NTS
DRAWN BY: TDL	DATE: 2-9-22
DESCP: SORT SYSTEM	
SHEET NO: 1 OF 1	PART NO: IRA-2021-01
	REV: A